

Electrical Wiring

F.1	Electrical Wiring	
F.2	Spare parts	
	Power board	
	Control board	

code

RT-5501-GT

model

ROTARY

power

GAS-DIESEL

instrumentation

TOUCH-SCREEN

details

WITH AUTOMATIC VALVE
SINGLE-PHASE EXTRACTOR
WITH PROXIMITY
WITH HOOK OR PLATFORM

operating voltage

230-400 Vac

auxiliary voltage

24 Vac

frequency

50-60 Hz

CE

revision

R-0

creation date

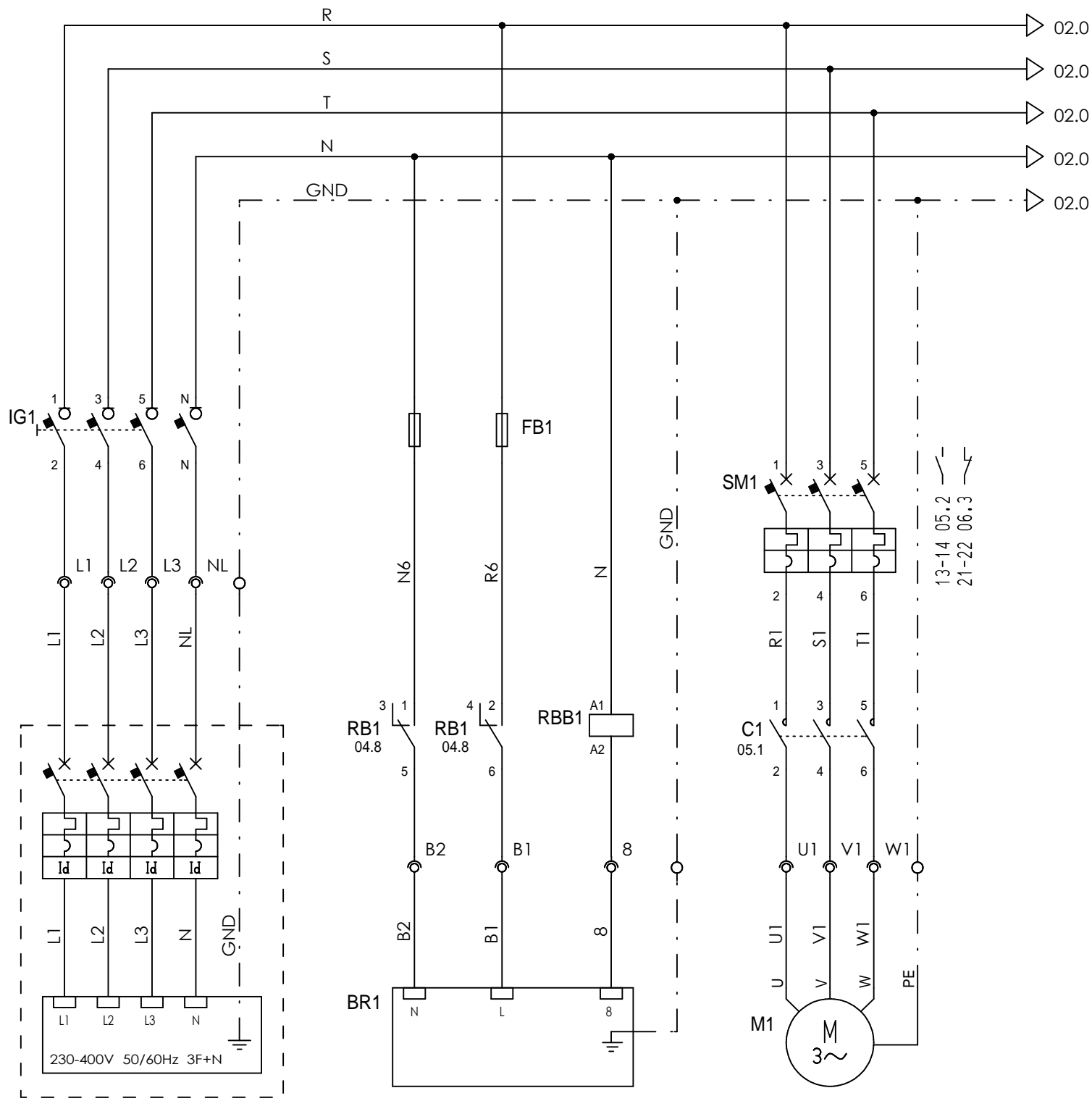
20/04/2016

revision date

20/04/2016

design

DF

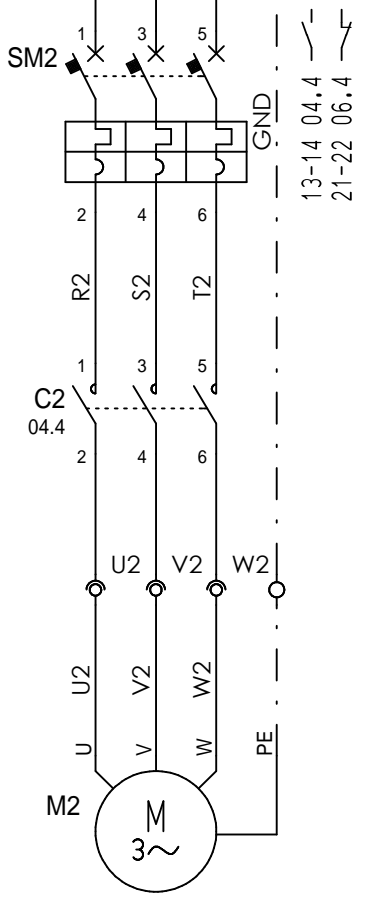
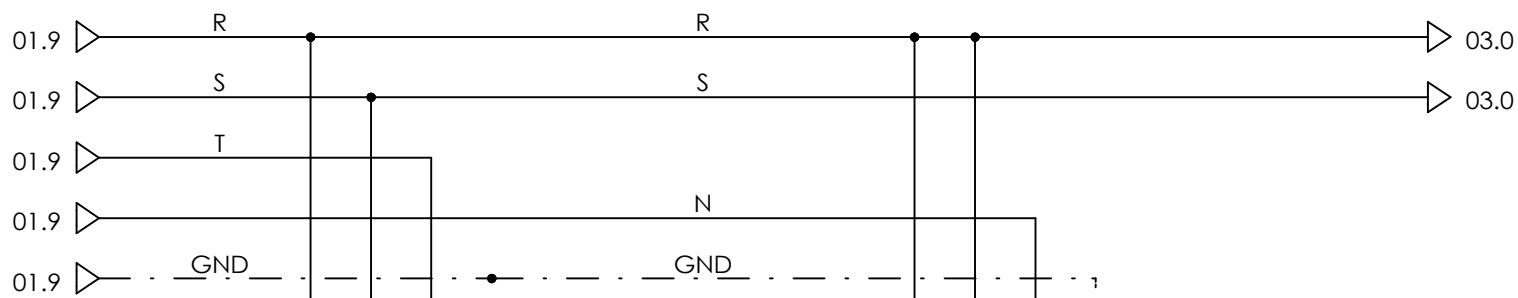


POWER SUPPLIER

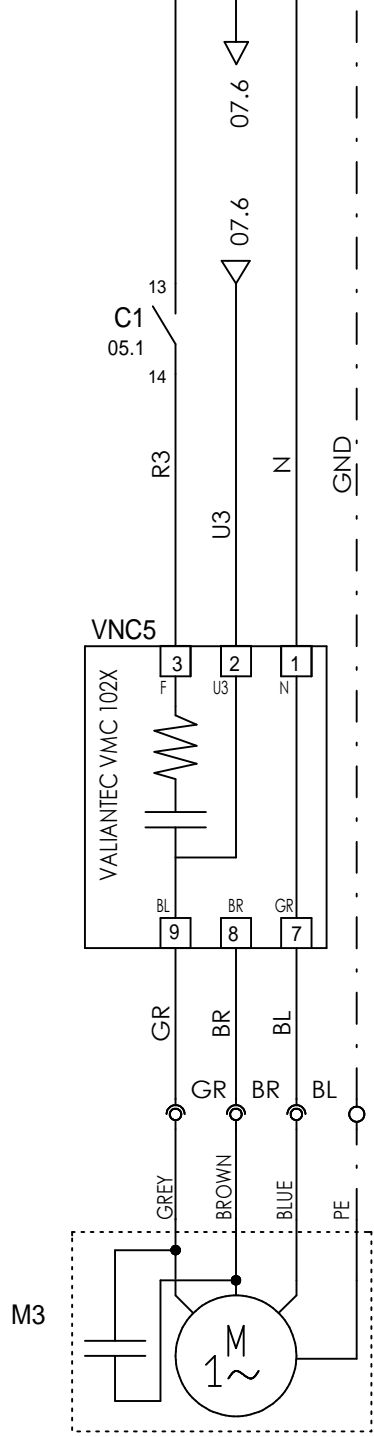
BURNER

RACK

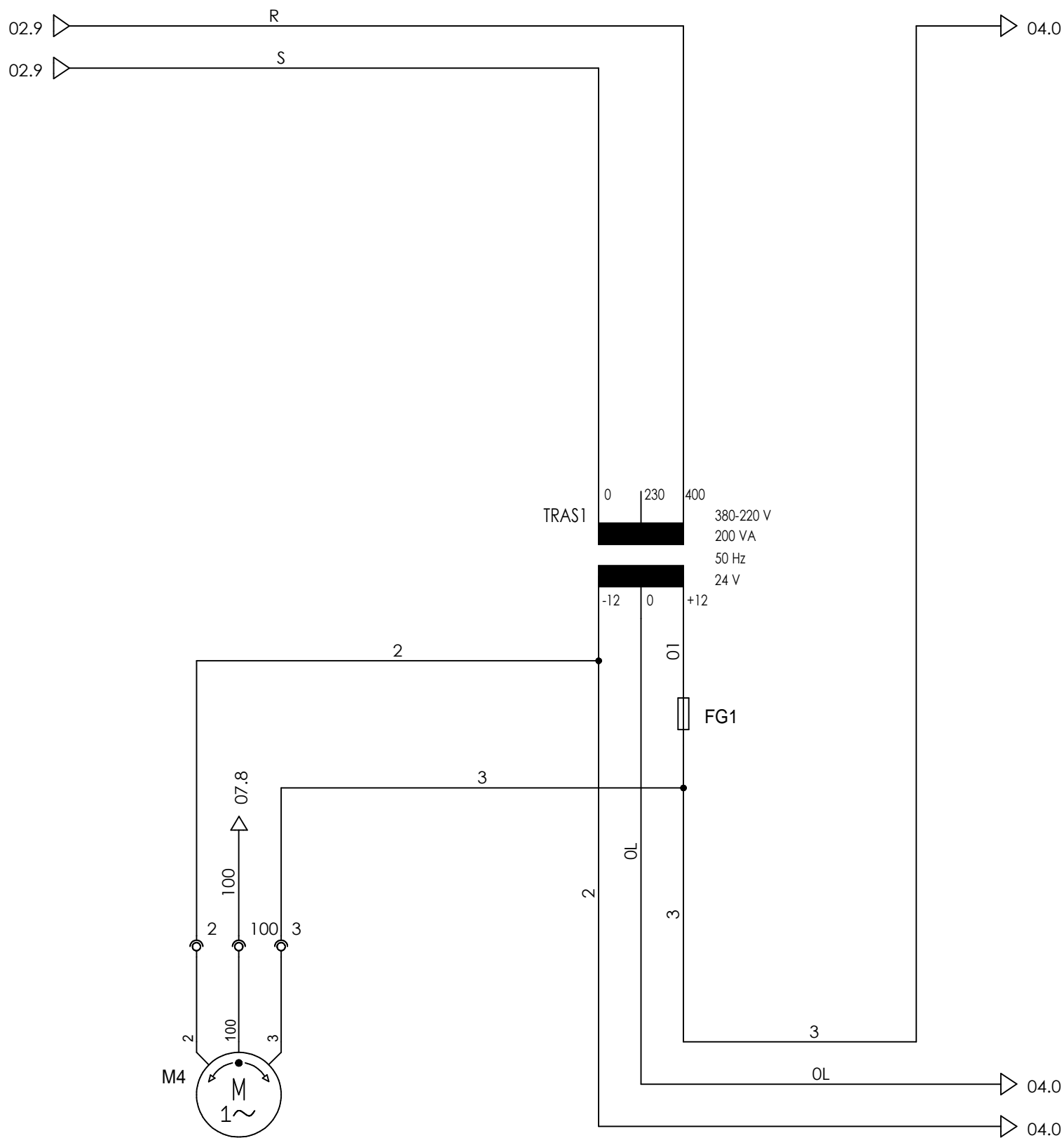
3 1 5 06.1
4 2 6 - -



BLOWER



STEAM SUCTION FAN

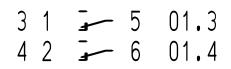
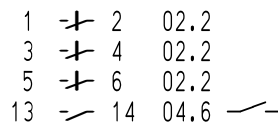
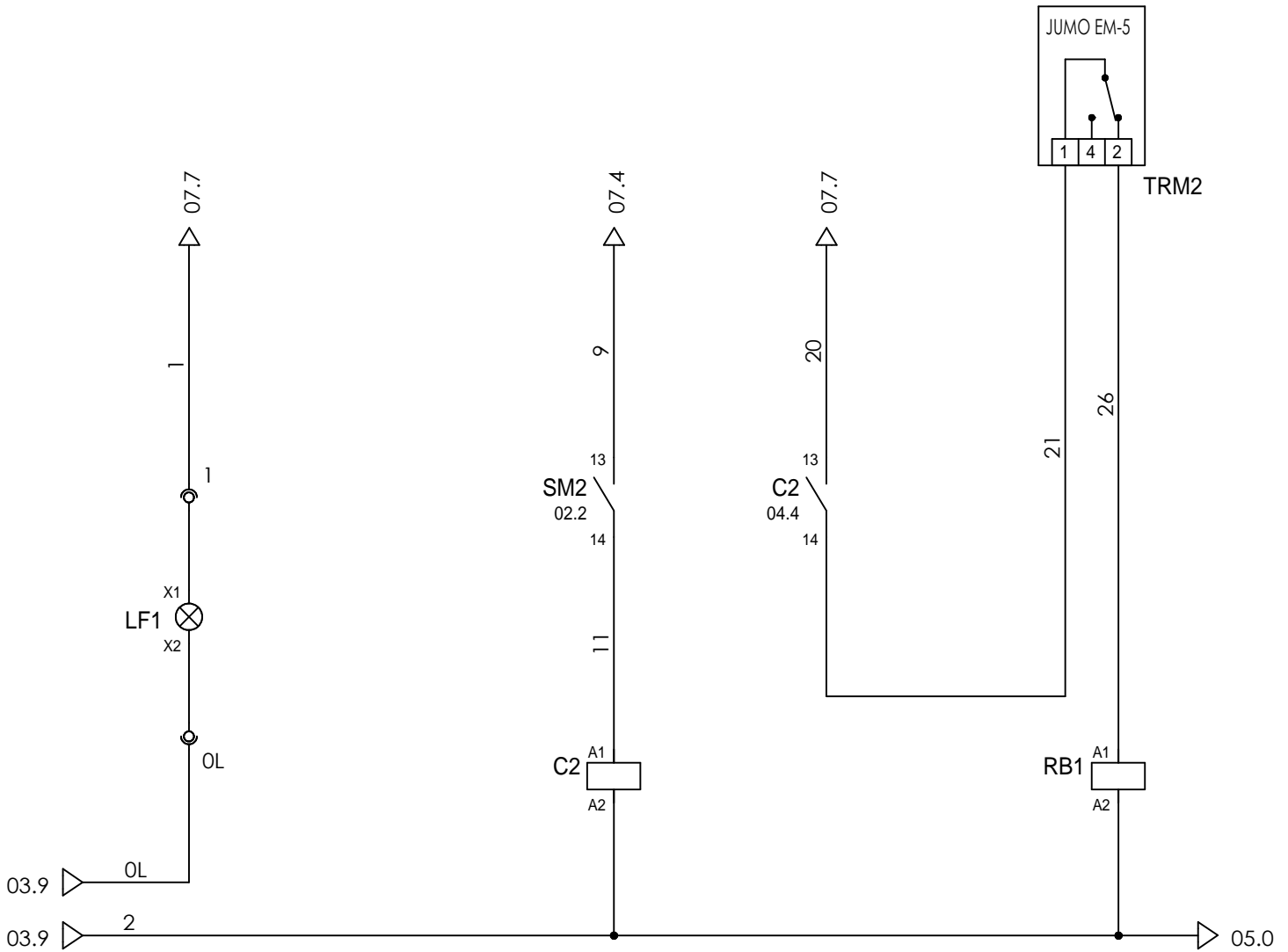


STEAM EXHAUST VALVE

TRANSFORMER

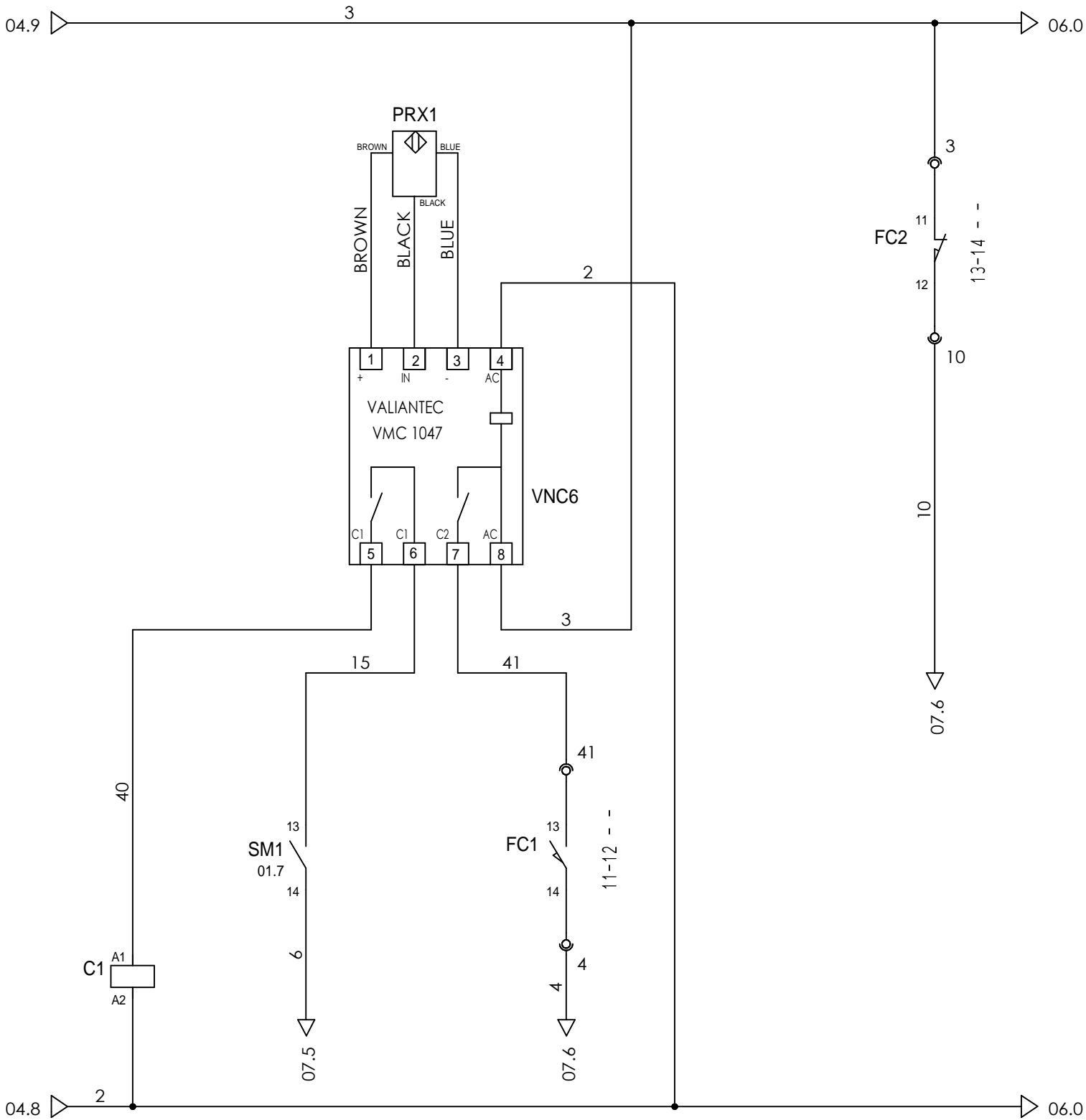
03.9 3 05.0

HI-LIMIT SWITCH



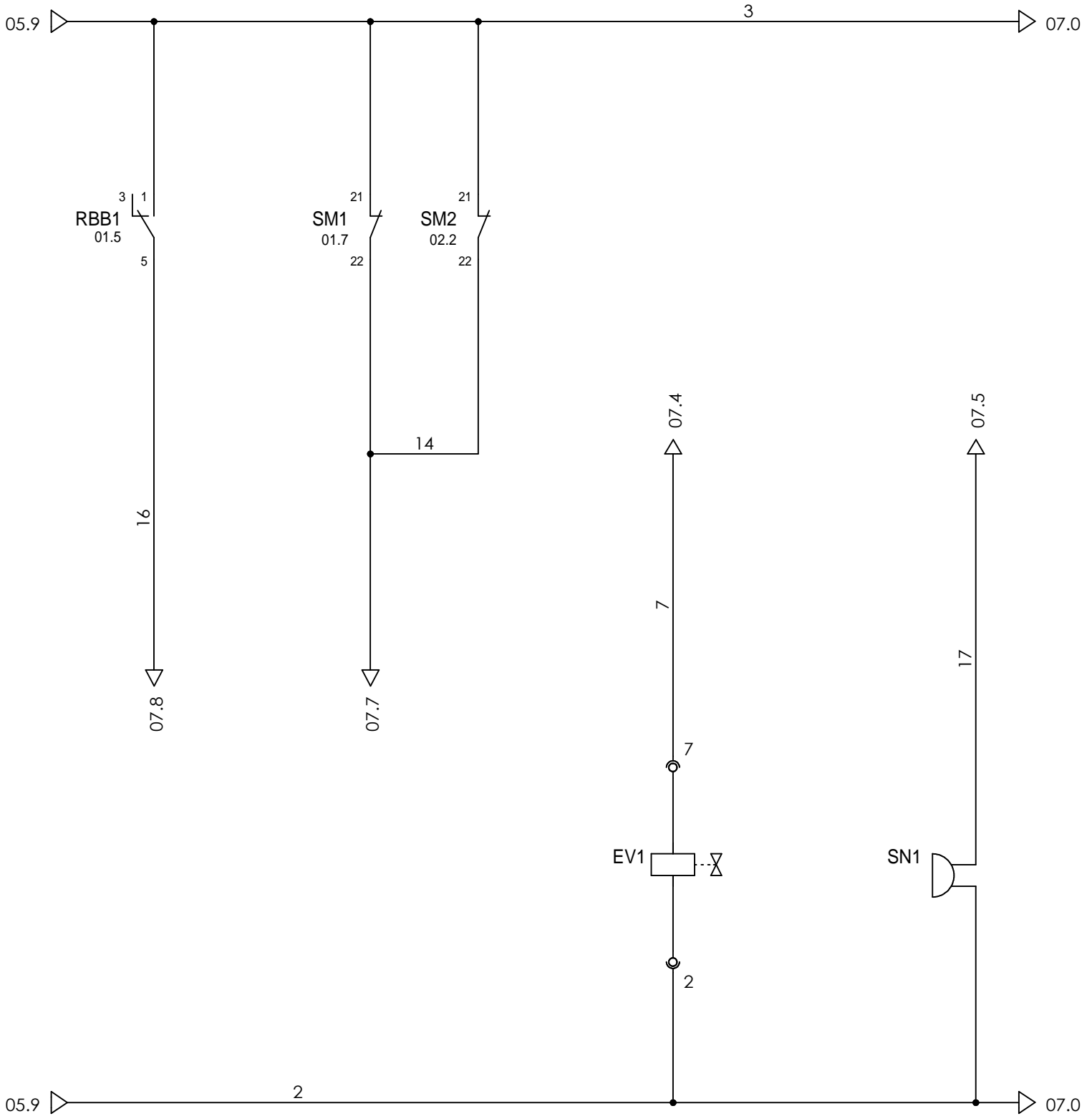
OVEN LIGHT

BLOWER



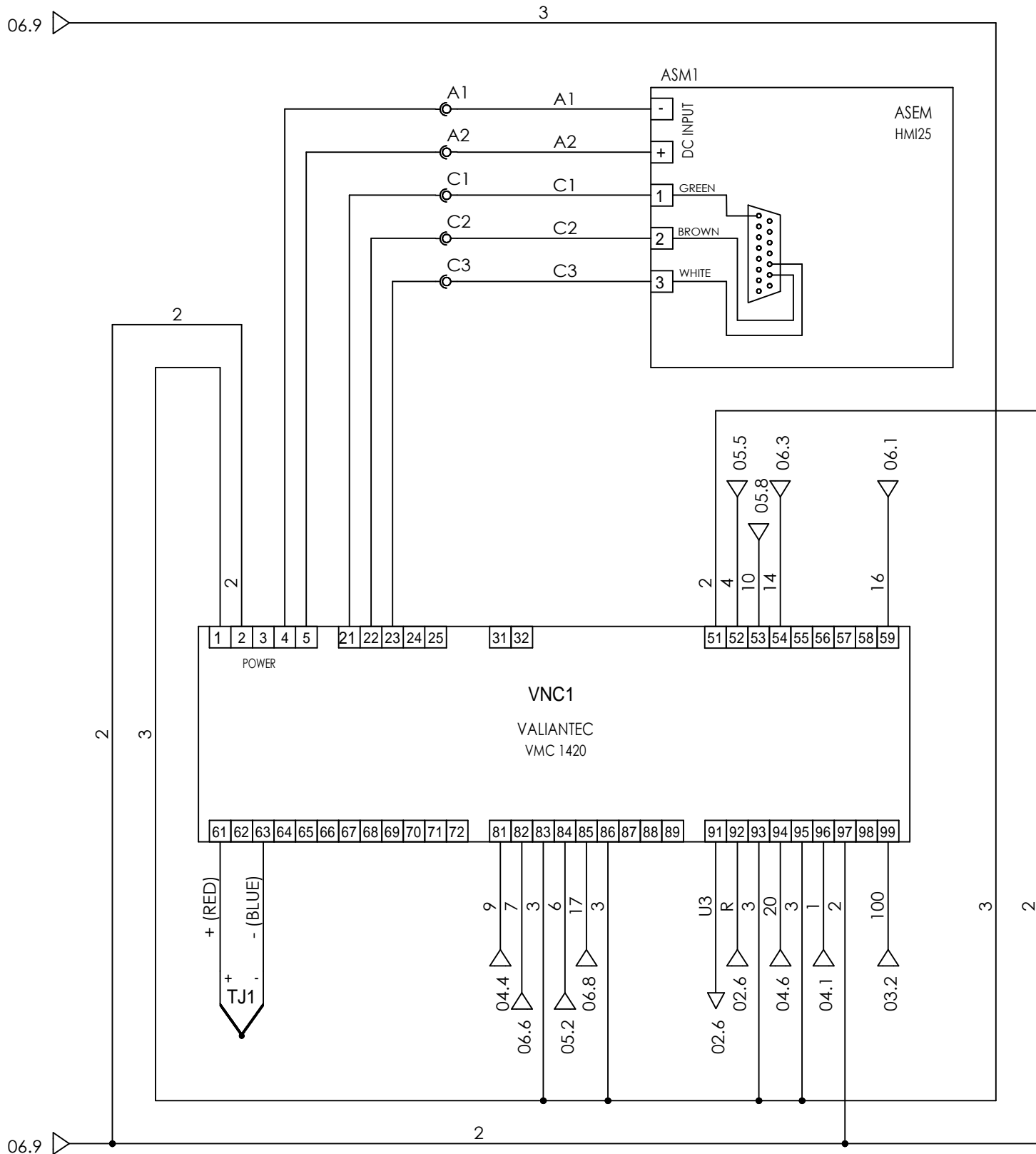
- 1 — 2 01.7
- 3 — 4 01.7
- 5 — 6 01.7
- 13 — 14 02.5

RACK ROTATION



STEAM SOLENOID VALVE

BUZZER

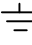


TFT BOARD POWER

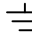
TOUCH-SCREEN

USAGE SUMMARY

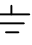
Y1

L1	L2	L3	NL	
----	----	----	----	---

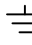
POWER SUPPLIER

B2	B1	8	
----	----	---	---

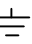
BURNER

U1	V1	W1	
----	----	----	---

RACK ROTATION

U2	V2	W2	
----	----	----	---

BLOWER MOTOR

BL	BR	GR	
----	----	----	---

STEAM SUCTION FAN MOTOR

1	OL
---	----

OVEN LIGHT

4	41
---	----

DOOR LIMIT SWITCH

3	10
---	----

RACK LIMIT SWITCH

7	2
---	---

STEAM SOLENOID VALVE

2	100	3
---	-----	---

STEAM EXHAUST VALVE

A1	A2	C1	C2	C3
----	----	----	----	----

TOUCH-SCREEN

PARTS LIST

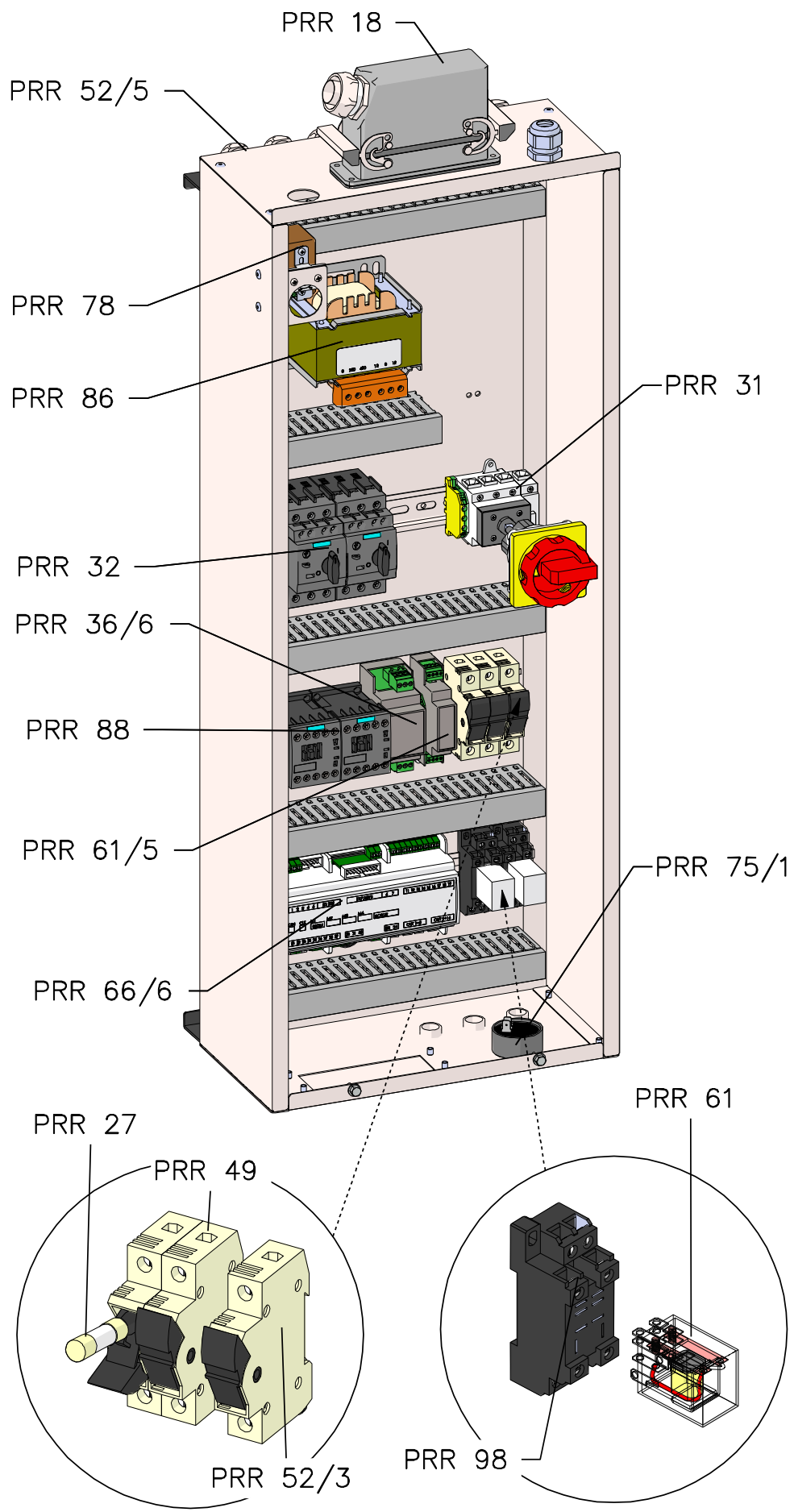
code	DESCRIPTION	SPARE PART	LOCATION	PAGE
ASM1	TOUCH-SCREEN	PRR 66/7	QC	07
BR1	BURNER	---	BM	01
C1	RACK ROTATION MOTOR CONTACTOR	PRR 88	CP	05
C2	BLOWER MOTOR CONTACTOR	PRR 88	CP	04
EV1	STEAM SOLENOID VALVE	PRR 22	BM	06
FB1	BURNER FUSES	PRR 27 - PRR 49	CP	01
FC1	DOOR LIMIT SWITCH	PRR 25	BM	05
FC2	RACK LIMIT SWITCH	PRR 25	BM	05
FG1	MAIN FUSE	PRR 27 - PRR 52/3	CP	03
IG1	MAIN SWITCH	PRR 31	CP	01
LF1	OVEN LIGHT	PRR 34/1	BM	04
M1	RACK ROTATION	PRR 40	BM	01
M2	BLOWER MOTOR	PRR 38	BM	02
M3	STEAM SUCTION FAN MOTOR	PRR 3/6	BM	02
M4	STEAM EXHAUST VALVE	PRR 53/1	BM	03
PRX1	PROXIMITY	PRR 44/7	BM	05
RB1	BURNER RELAY	PRR 61	CP	04
RBB1	BURNER STOP RELAY	PRR 61	CP	01
SM1	AUTOMATIC SWITCH FOR RACK MOTOR	PRR 32	CP	01

0	1	2	3	4	5	6	7	8	9
---	---	---	---	---	---	---	---	---	---

PARTS LIST

code	DESCRIPTION	SPARE PART	LOCATION	PAGE
SM2	AUTOMATIC SWITCH FOR FAN MOTOR	PRR 32	CP	02
SN1	BUZZER	PRR 75/1	CP	06
TJ1	TEMPERATURE PROBE	PRR 72	CP	07
TRAS1	TRANSFORMER	PRR 86	CP	03
TRM2	HI-LIMIT SWITCH	PRR 78	CP	04
VNC1	TFT BOARD POWER	PRR 66/6	CP	07
VNC5	MODULE - 2 SPEED	PRR 36/6	CP	02
VNC6	PROXIMITY RELAY	PRR 61/5	CP	05

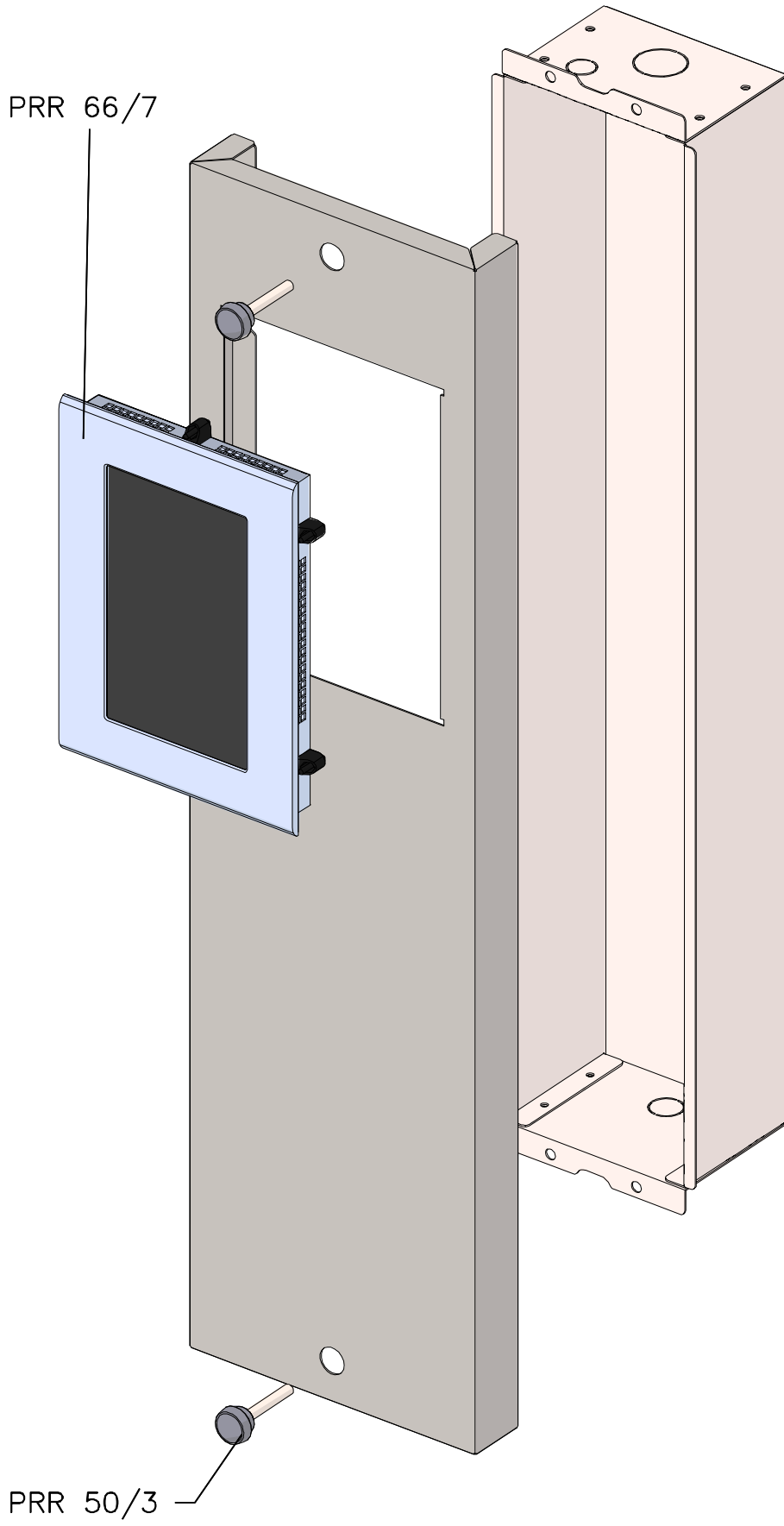
Power board



PRR 53/8

code

PRR 18	Electric board connector completed
PRR 27	Standard fuse
PRR 31	Mains switch for gas/fuel rotary ovens
PRR 49	Standard fuse holderr (bipolar)
PRR 52/3	Standard fuse holder (single-polar)
PRR 52/5	Straight sheath through
PRR 52/7	Curved sheath through
PRR 61	Relay
PRR 75/1	Two-sound electronic beeper
PRR 78	Max temp. themostat
PRR 86	200VA transformer
PRR 88	Normal remote-controle switch
PRR 36/6	Interface For Steam Suction Fan - Single Phase
PRR 98	Base for relay
PRR 99	Base for Omron H3Y
PRR 61/5	Relay For Proximity
PRR 66/6	Power Card "TFT"
PRR 32	Automatic Switch



code

PRR 50/3

Screw With Black Knob

PRR 66/7

Touch Screen